

# COLLISION REPAIR INFORMATION

## FOR THE COLLISION REPAIR PROFESSIONAL

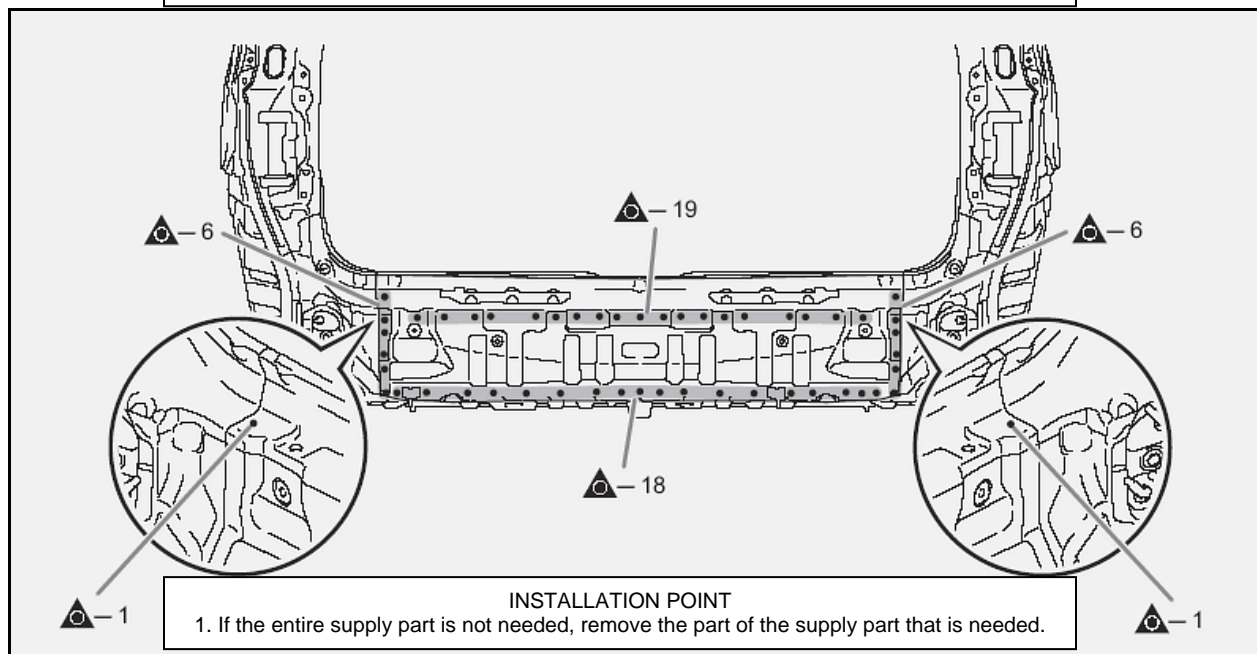
TITLE: 2011 SIENNA - COLLISION DAMAGE REPAIR MANUAL - SUPPLEMENT  
SECTION: EXTERIOR BULLETIN # 179  
MODELS: 2011- SIENNA  
DATE: DECEMBER 2010

---

Toyota has reviewed and evaluated replacement specifications for the 2011 Sienna "BODY LOWER BACK OUTER PANEL (ASSY)", as originally published in the model-specific Collision Damage Repair Manual. The purpose of the review was to determine if there were alternative replacement procedures for cases that did not warrant complete component replacement.

As a result of this review, a supplemental procedure has been developed to allow for replacement of individual BODY LOWER BACK OUTER PANEL components. The new procedures significantly reduce panel removal, cutting, and welding operations when complete component installation is not required. The supplemental procedure has been added to the 2011 Sienna Collision Damage Repair Manual. The Manual and supplemental procedures can be accessed through the Toyota Technical Information System (TIS) [www.techinfo.toyota.com](http://www.techinfo.toyota.com).

### EXAMPLE ILLUSTRATION FROM SUPPLEMENTAL PROCEDURE



**PLEASE ROUTE THIS BULLETIN TO YOUR COLLISION REPAIR CENTER  
MANAGER AND COLLISION REPAIR TECHNICIANS**

